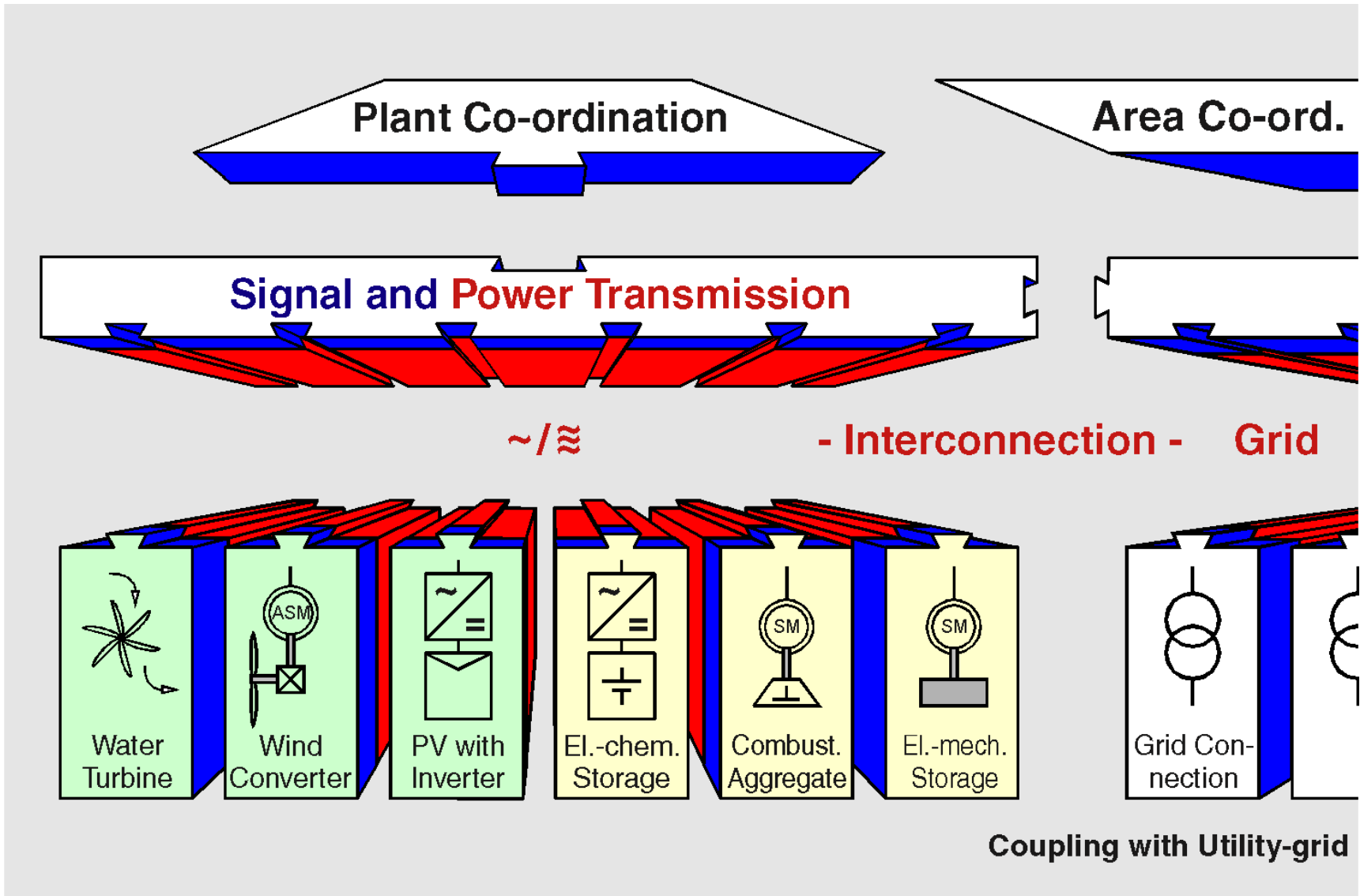
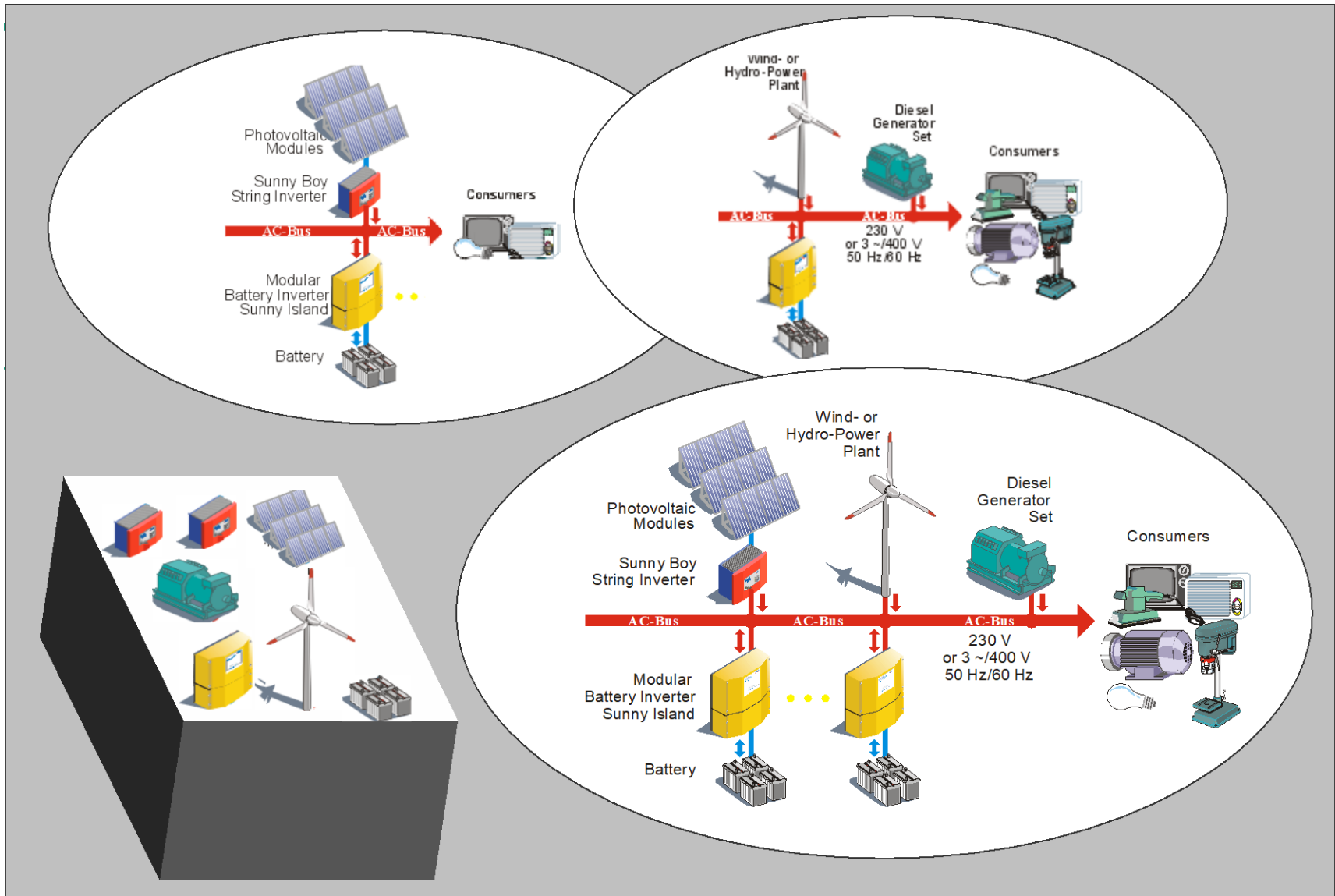

Grid Control for Inverter Dominated Power Systems

Philipp Strauss

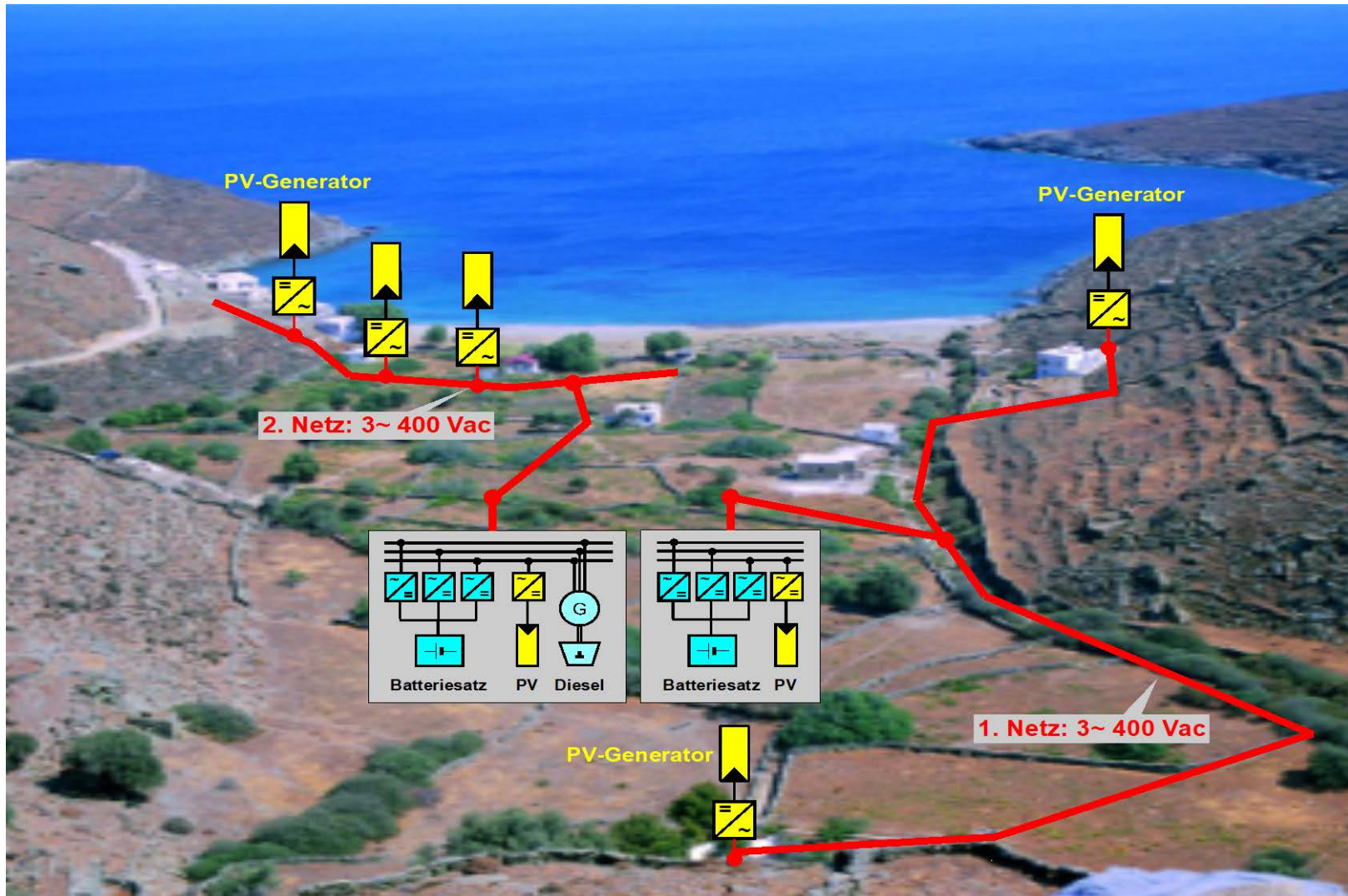
**Short history about grid forming inverters
at ISET, Fraunhofer IWES, Fraunhofer IEE**



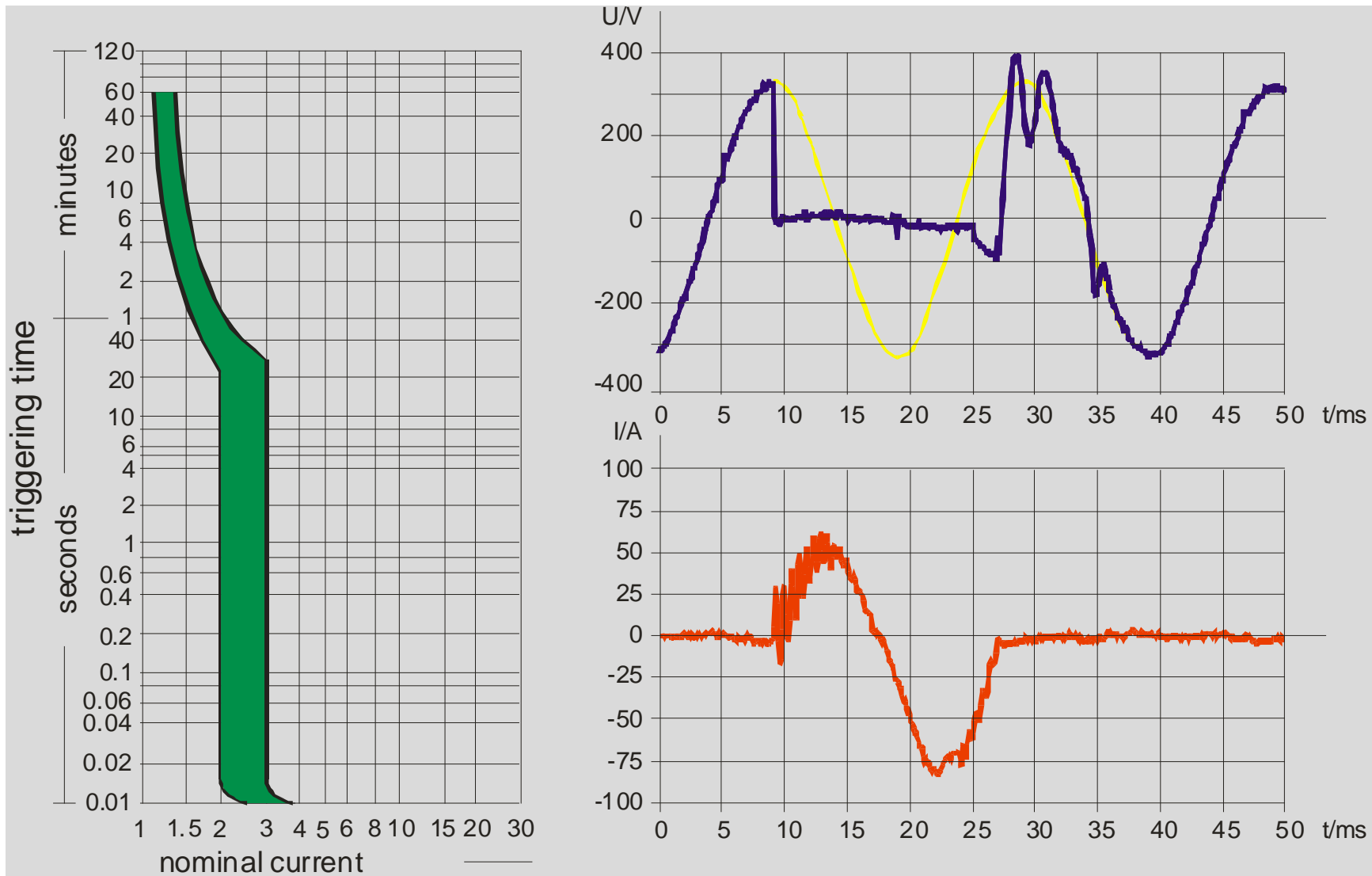
1990's: Modular Systems Technology, ISET, Kassel



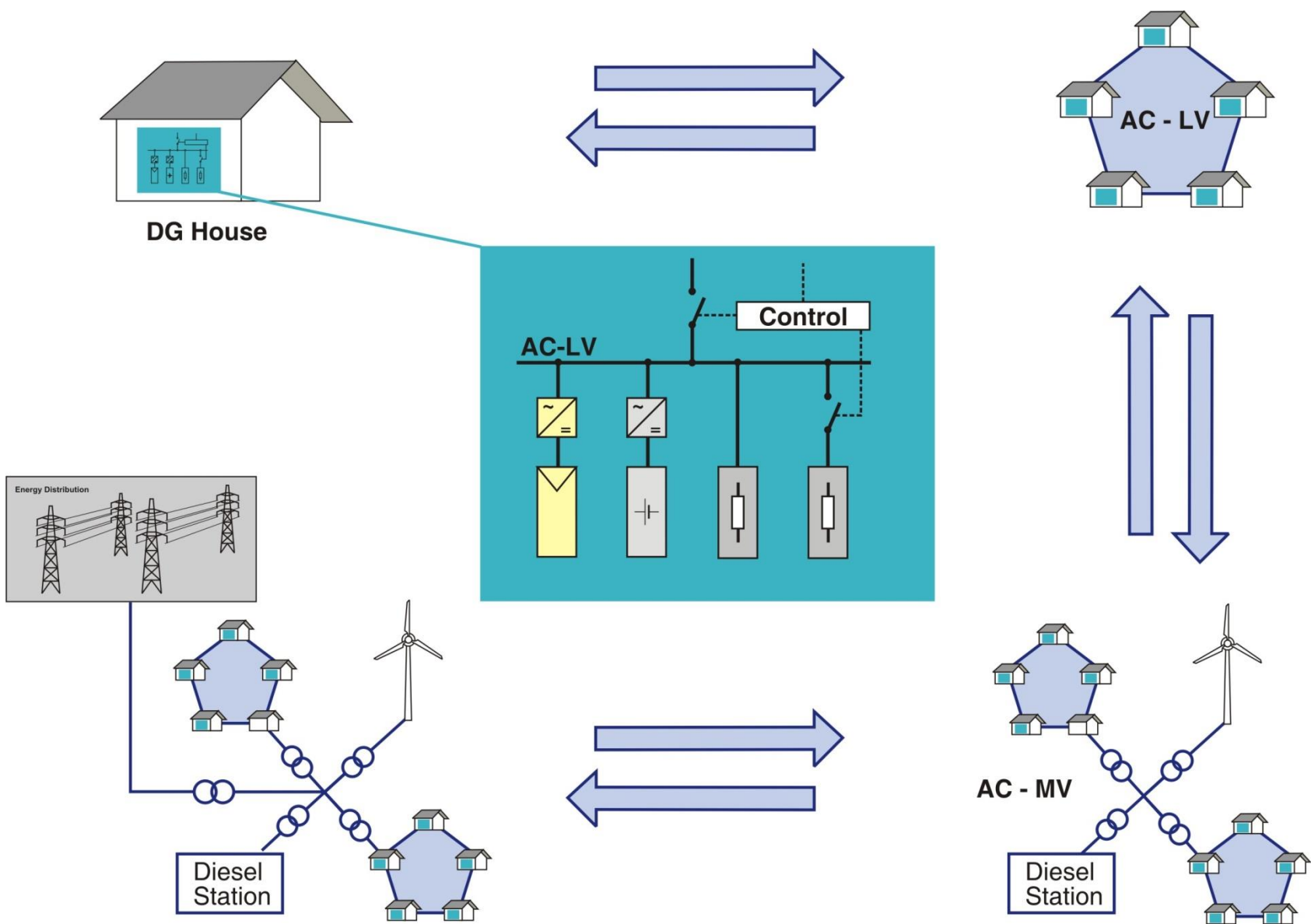
2000: Construction kit for setting up grid compatible island grids



2002: First grids with selfsync™ grid forming inverters
 PV power limitation with P/f droops, with and without conventional generator



Triggering automatic circuit breaker with *Sunny Island*TM battery inverter



Approach for island grids, microgrids and electrification process